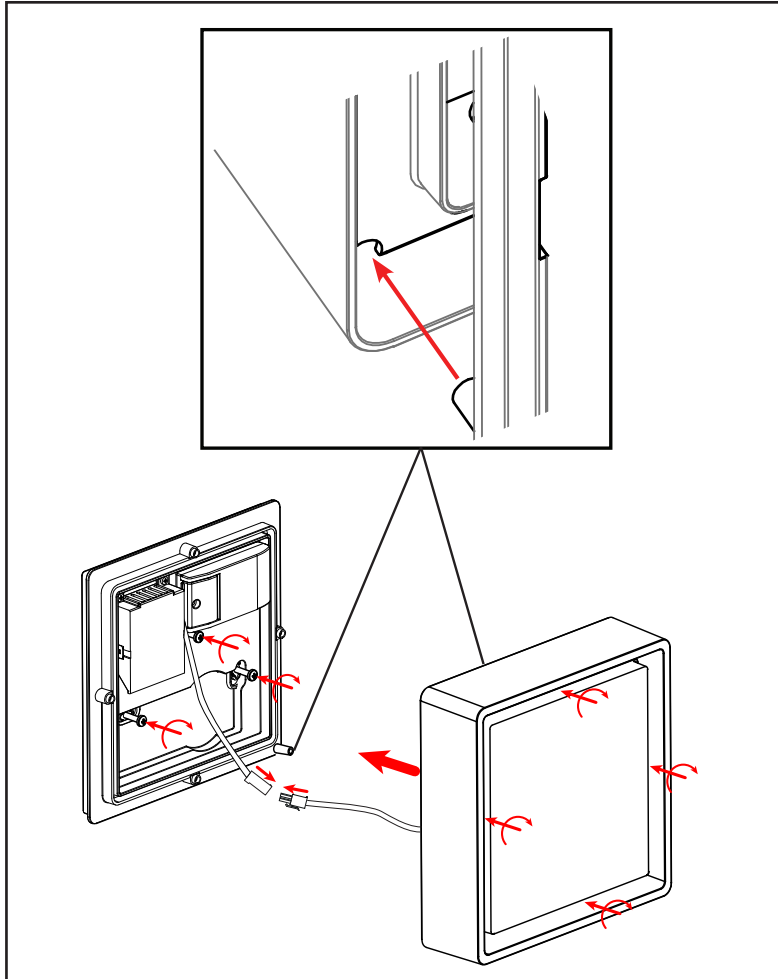


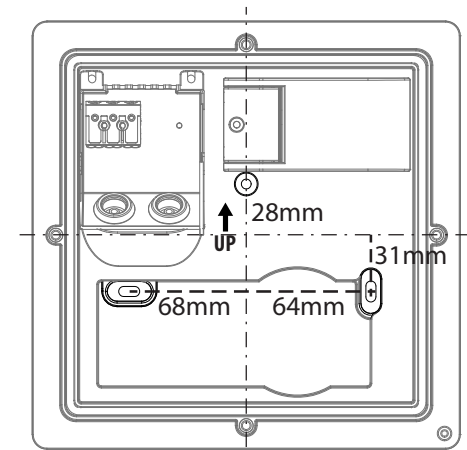
Frame Square / Wall Frame Square Maxi



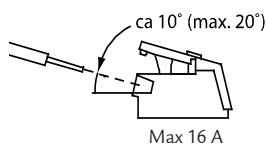
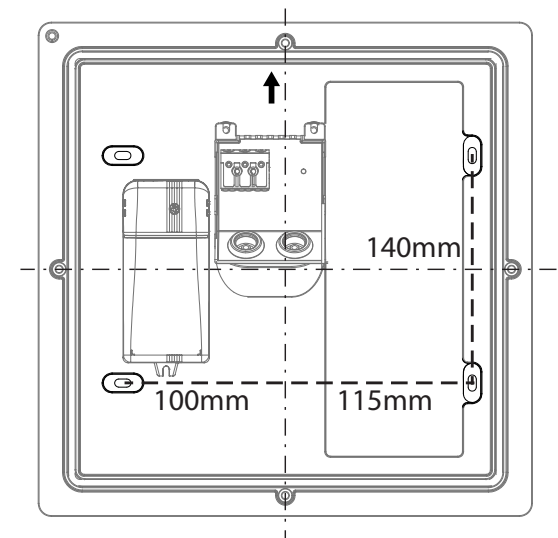
220-240V, 50/60Hz



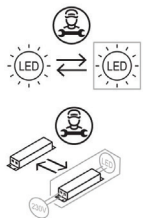
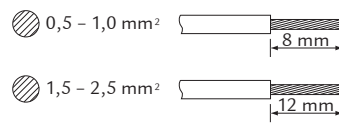
Frame Square /Wall



Frame Square Maxi



Max 16 A



NO: Skru av strømmen før montering.
DK: Sluk for strømmen inden montering.
SE: Stång av strømmen innan montering.
EN: Turn off power before installing.
FR: Couper le courant avant l'installation.
NL: Stroom uitschakelen voor u het toestel installeert.
DE: Vor Installationsarbeiten den Strom abschalten.
FI: Sammuta virta ennen kytkemistä

NO: Kan kun installeres og vedlikeholdes av en registrert installasjonsvirksomhet.
DK: Må kun installeres og vedlikeholdes af uddannet elektriker.
SE: Skall installeras och underhållas av behörig elektriker.
EN: Only to be installed and maintained by an authorized electrician.
FR: Doit être installé et maintenu par un électricien qualifié.
NL: Mag alleen geïnstalleerd en onderhouden worden door een bevoegde electricien.
DE: Dieses Produkt darf nur durch autorisiertes Personal (z.B. Elektro-Installateur) angeschlossen, in Betrieb genommen und gewartet werden.
FI: Asentaa ja huoltaa saa vain valtuutettu sähköasentaja

NORWAY
SG Armaturen AS

Skytterheia 25
N-4790 Lillesand

Tel: +47 37 50 03 00
firmapost@sg-as.no
www.sg-as.no

SWEDEN
SG Armaturen AB
Tel: +46 31 81 71 10
info@sg-ab.se
www.sg-ab.se

FINLAND
SG Armaturen Oy
Tel: +358 02 07 30 39 60
info@sg-oy.fi
www.sg-oy.fi

DENMARK
SG Armaturen A/S
Tel: +45 70 70 72 13
info@sg-as.dk
www.sg-as.dk

UNITED KINGDOM
SG Lighting LTD
Tel: +47 37 50 03 00
info@sglighting.co.uk
www.sglighting.co.uk

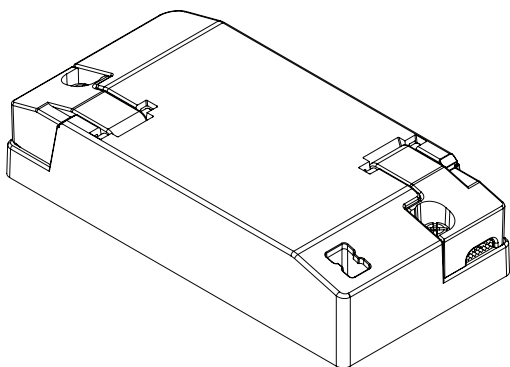
FRANCE
SG Lighting SA/NV
Tel: +33(0) 4 94 93 00 00
info.france@sglighting.fr
www.sglighting.net

BENELUX
SG Lighting SA/NV
Tel: +32(0) 15 20 72 71
info.benelux@sglighting.net
www.sglighting.net

GERMANY
SG Leuchten GmbH
Tel: +49 40 23 99 44 59
info@sg-leuchten.de
www.sg-leuchten.de

INTERNATIONAL
SG Lighting Co Ltd.
Tel: +86 769 88 49 20 88
cindy@sgdgc.com
www.sg-as.com

Dipswitch

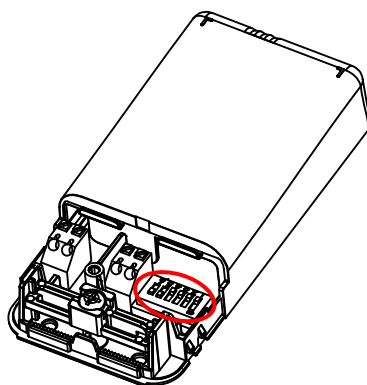
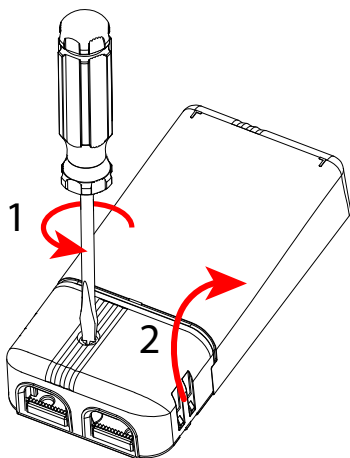


Standard



Frame Square /Wall

mA	200	250	300	350	400	450
Im	100%	125%	-	-	-	-



Standard



Frame Square Maxi

mA	250	300	350	400	450	500	550
Im	45%	55%	64%	73%	82%	90%	100%



mA	600-900	12/24/28V
-----------	---------	-----------

Sensor Dim

Motion and daylight

No Com

With Com

No Push

Push

		1	2
Hold time	10 minutes	1	1
	5 minutes	0	1
	1 minute	1	0
	5 seconds	0	0

		3	4
Motion sensitivity	High	1	1
	Medium	0	1
	Low	1	0
	Off	0	0

		5	6
Daylight sensitivity	Low	1	1
	Medium	0	1
	High	1	0
	Off	0	0

		7
Midnight cut	On	1
	Off	0

		8
Basic light	On	1
	Off	0

NORWAY
SG Armaturen AS
Skytterheia 25
N-4790 Lillesand
Tel: +47 37 50 03 00
firmapost@sg-as.no
www.sg-as.no

SWEDEN
SG Armaturen AB
Tel: +46 31 81 71 10
info@sg-ab.se
www.sg-ab.se

DENMARK
SG Armaturen A/S
Tel: +45 70 70 72 13
info@sg-as.dk
www.sg-as.dk

FRANCE
SG Lighting SA/NV
Tel: +33(0) 4 94 93 00 00
info.france@sglighting.fr
www.sglighting.net

GERMANY
SG Leuchten GmbH
Tel: +49 40 23 99 44 59
info@sg-leuchten.de
www.sg-leuchten.de

FINLAND
SG Armaturen Oy
info@sg-oy.fi
www.sg-oy.fi

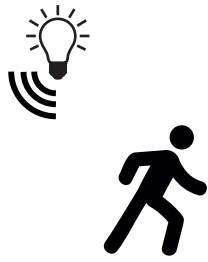
UNITED KINGDOM
SG Lighting LTD
Tel: +47 37 50 03 00
info@sglighting.co.uk
www.sglighting.co.uk

BENELUX
SG Lighting SA/NV
Tel: +32(0) 15 20 72 71
info.benelux@sglighting.net
www.sglighting.net

INTERNATIONAL
SG Lighting Co Ltd.
Tel: +86 769 88 49 20 88
cindy@sgdgc.com
www.sg-as.com

Rev: 19.02.2024

Hold time

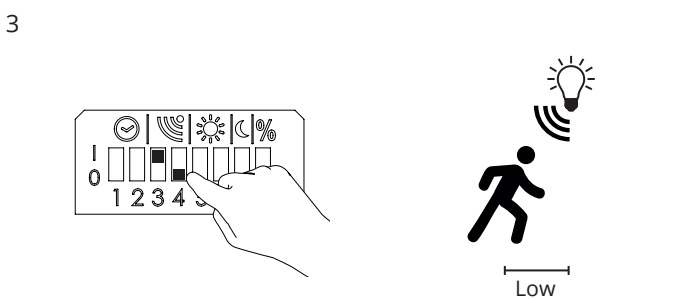
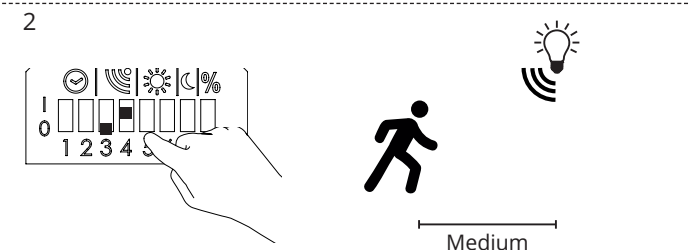
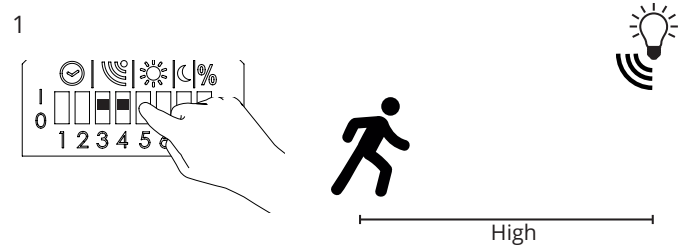
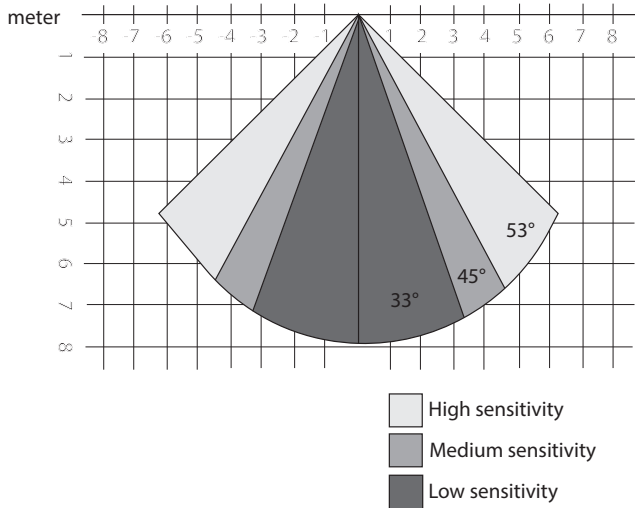


	1	2
10 min	1	1
5 min	0	1
1 min	1	0
5 sec	0	0



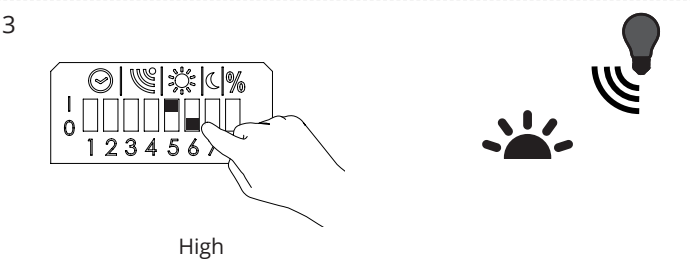
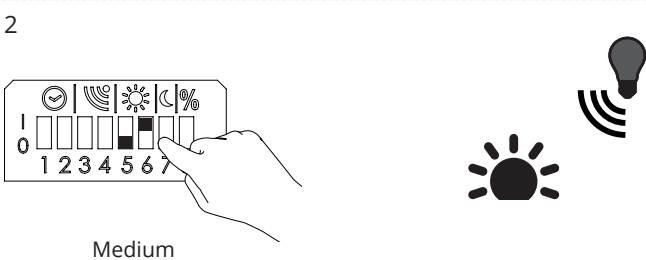
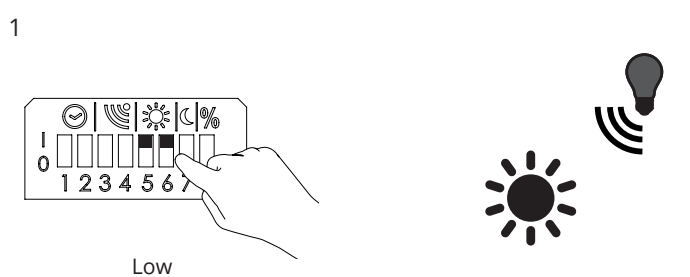
Motion sensitivity

Sensitivity	3	4
High	1	1
Medium	0	1
Low	1	0
Off	0	0



Daylight sensitivity

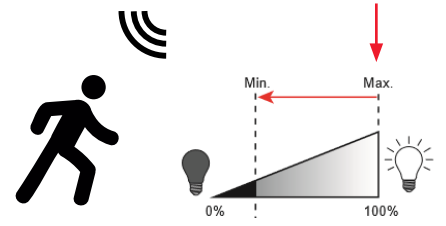
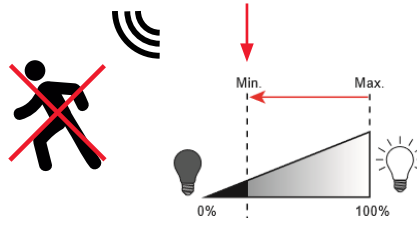
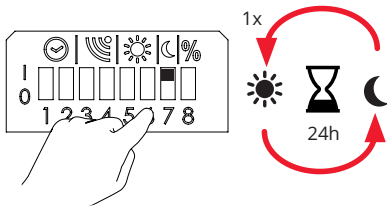
Sensitivity	5	6
Low	1	1
Medium	0	1
High	1	0
Off	0	0



Midnight cut

~00:00 - 05:00 AM

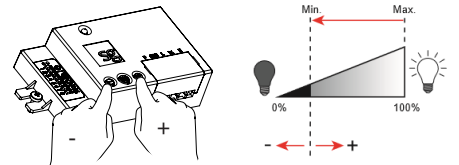
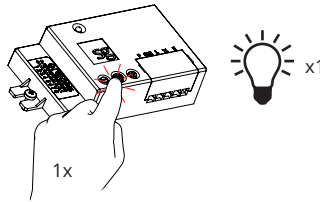
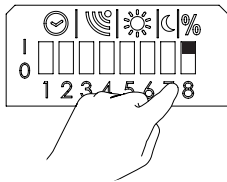
~00:00 - 05:00 AM



Light levels - Basic light and max light

1

2

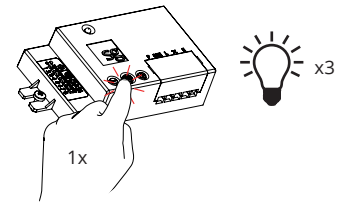
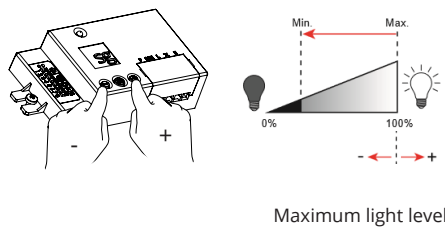
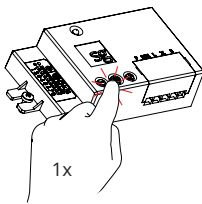


Basic light

3

4

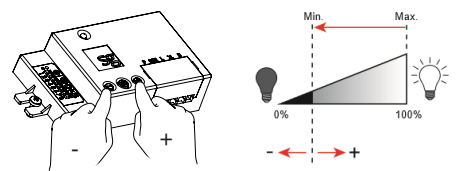
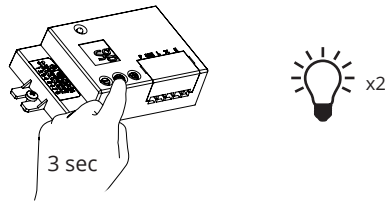
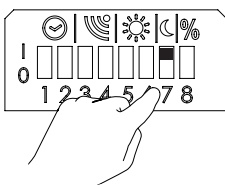
5



Light levels - Midnight cut

1

2

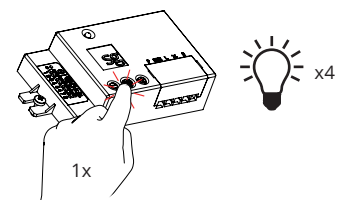
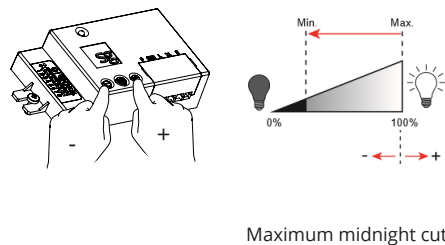
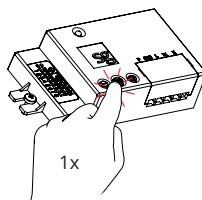


Minimum midnight cut

3

4

5



Maximum midnight cut